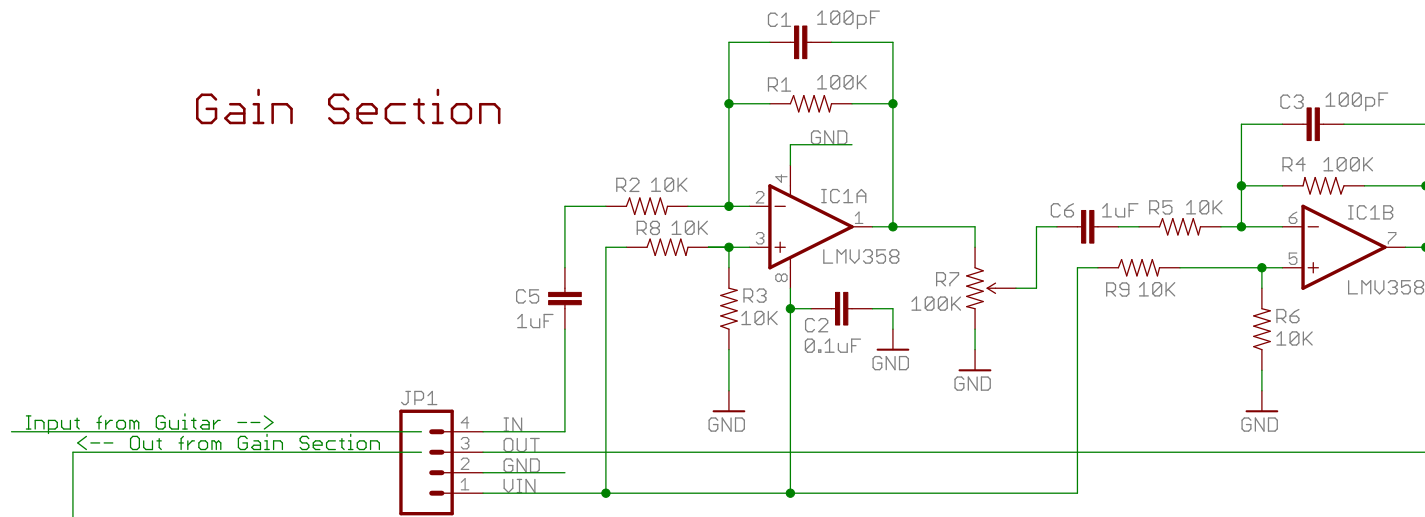
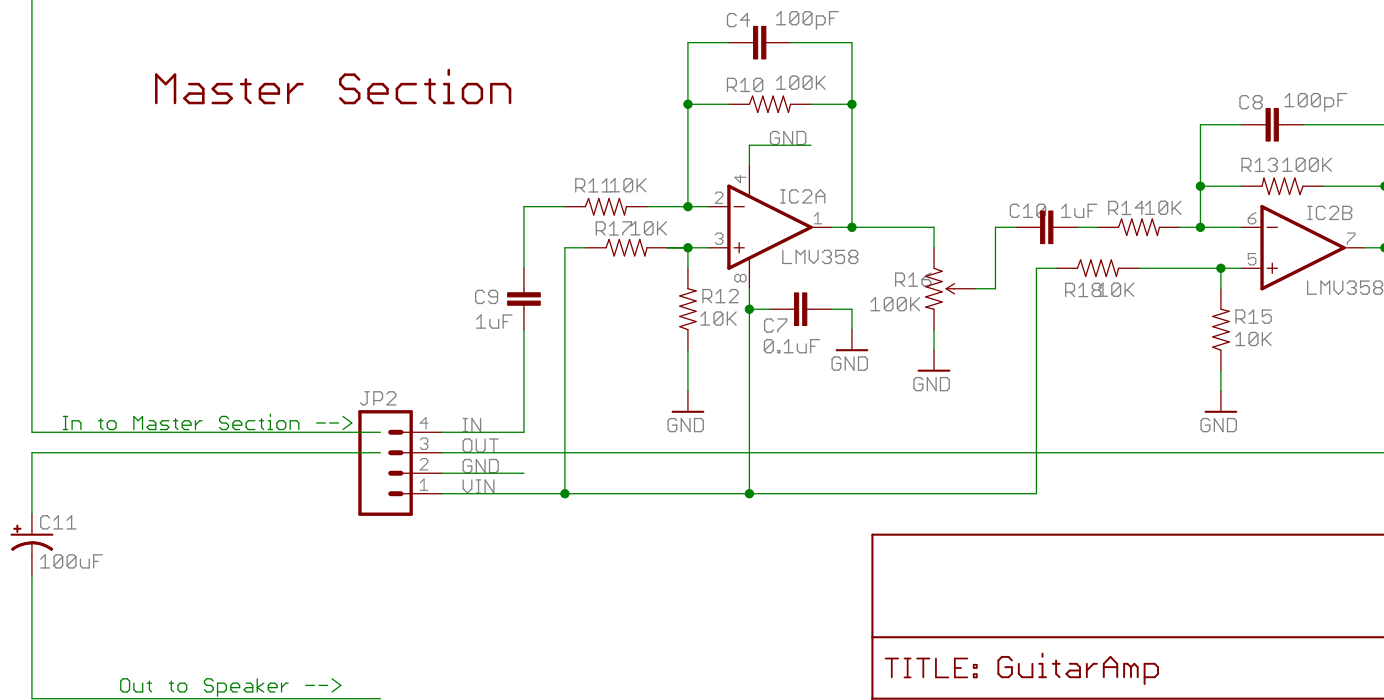


## Gain Section



## Master Section



TITLE: GuitarAmp

SFE

Document Number:

REV:

Date: 1/27/2009 2:09:50 PM

Sheet: 1/1