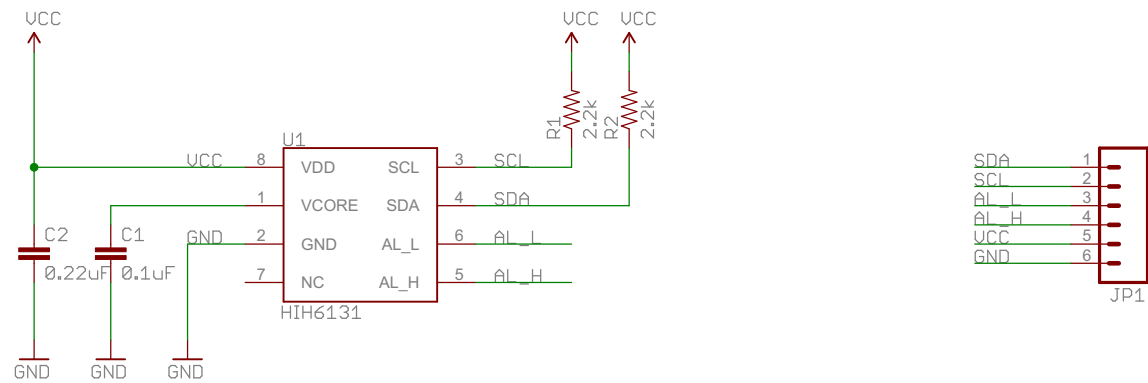


Vsupply = 2.3 - 5.5Vdc



Released under the Creative Commons Attribution Share-Alike 3.0 License
<http://creativecommons.org/licenses/by-sa/3.0>
Design bjørnel Bartlett



⊗ ⊗		○ ○	
TITLE: HIH6130_Breakout_v10			
Document Number:			REV:
Date: 8/30/2012 7:43:55 AM			Sheet: 1/1