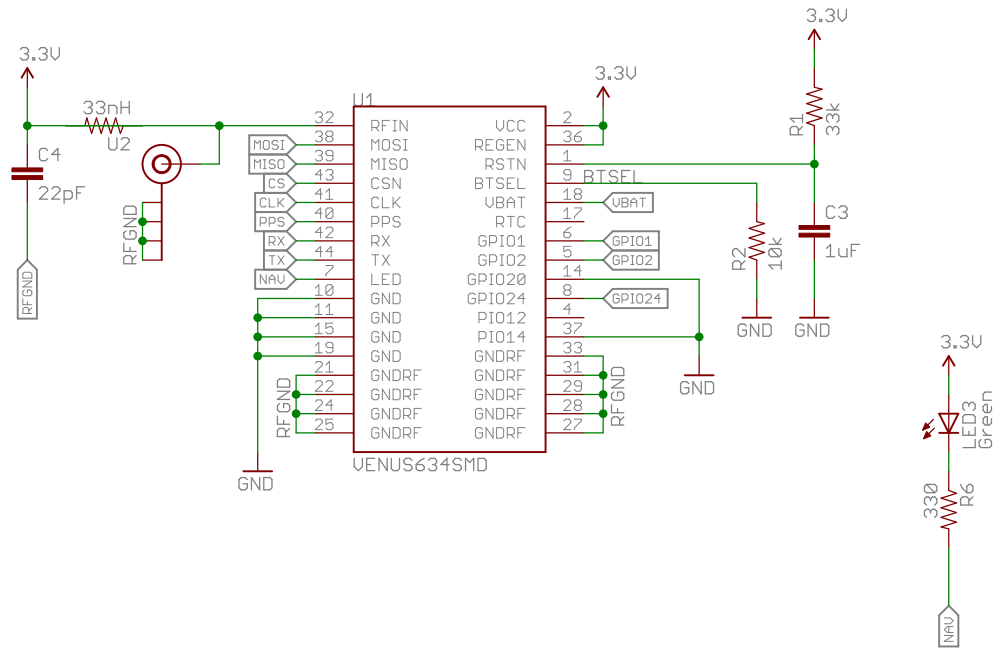
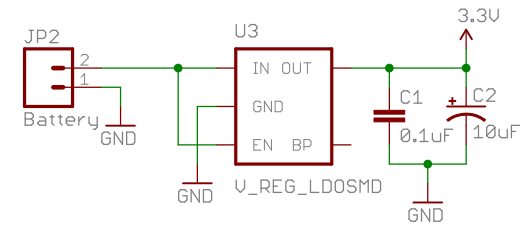


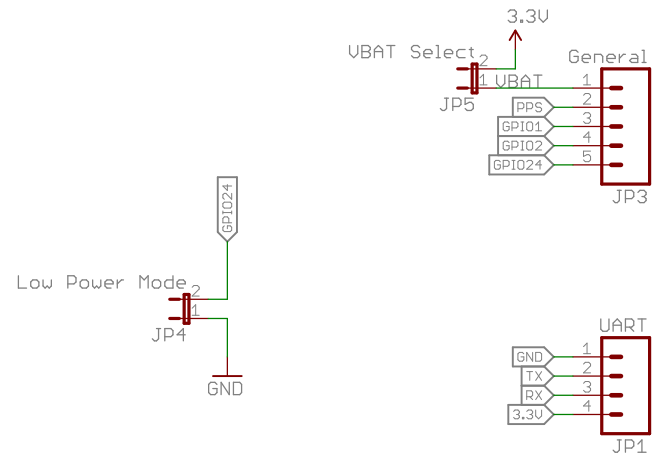
Venus634 GPS



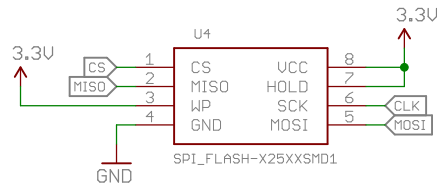
3.3V Supply



Interface



SPI Flash



Released under the Creative Commons Attribution Share-Alike 4.0 License
<https://creativecommons.org/licenses/by-sa/4.0/>

TITLE: SparkFun_Venus_GPS_Logger_v10 SFE

Design by: REV: V10

Date: 12/2/2015 12:41:46 PM Sheet: 1/1