

4

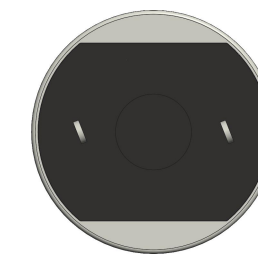
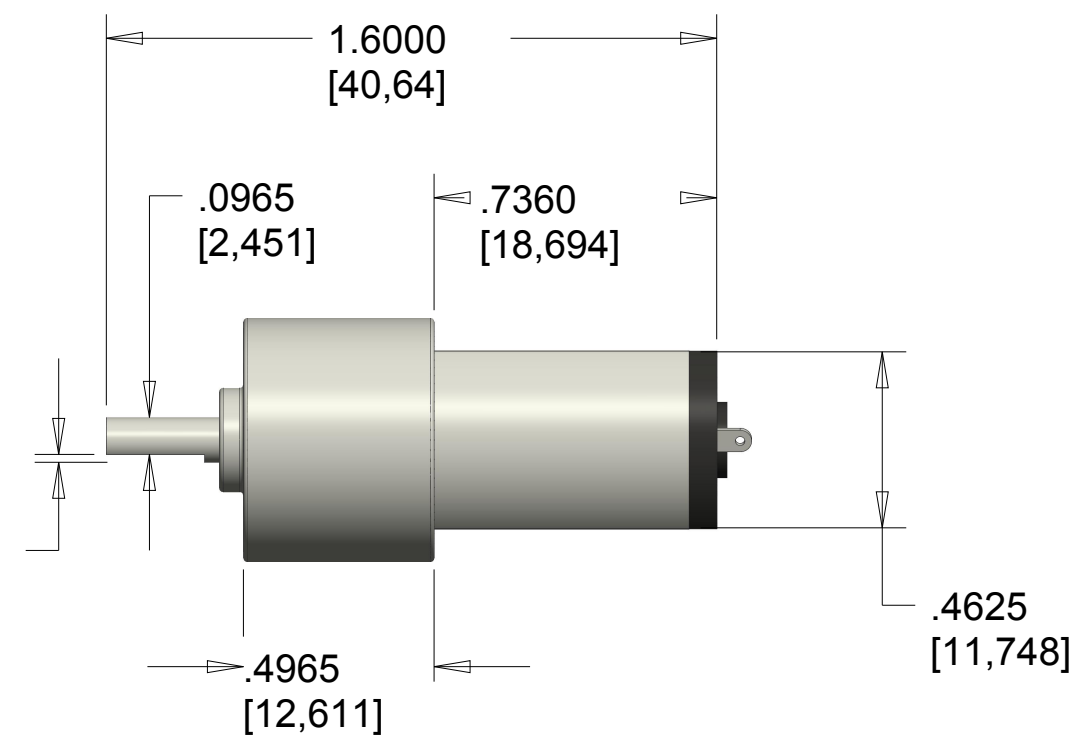
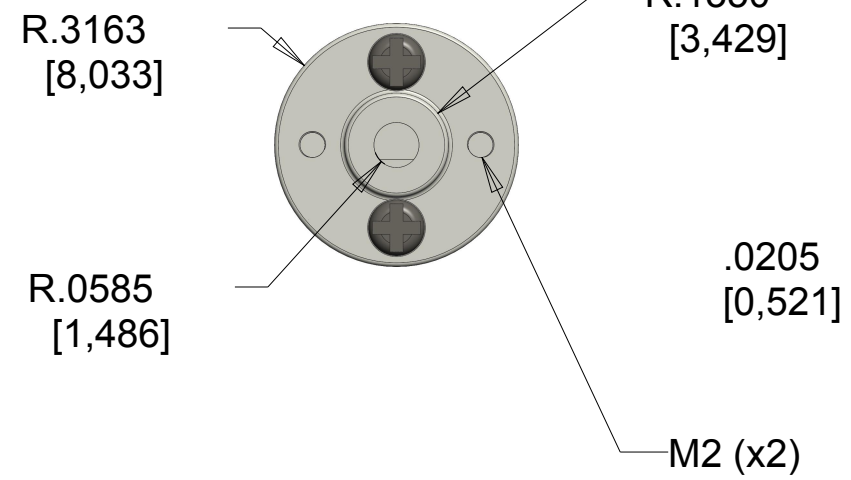
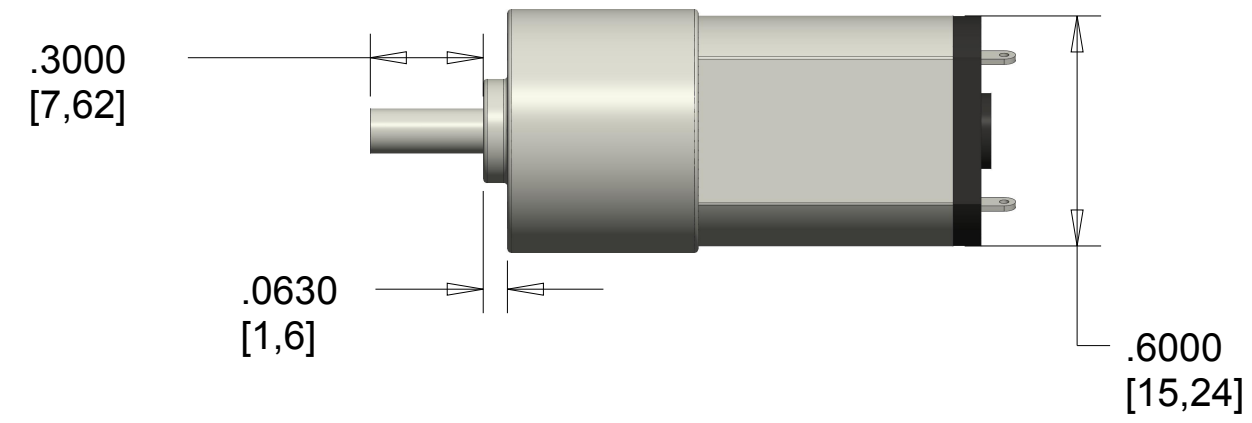
3

2

1



SCALE 4.000



---Description---

This motor has a 0.275" (7 mm) D-shaped metal output shaft that matches the Pololu wheel 42x19mm and 32x7mm. The face plate has two mounting holes threaded for M2 screws.

These motors are intended for use at 6V. In general, these kinds of motors can run at voltages above and below this nominal voltage, so they should comfortably operate in the 3 - 9 V range. Lower voltages might not be practical, and higher voltages could start negatively affecting the life of the motor.

---Features---

- 105:1 gear ratio
- 152rpm @ 6V
- 55mA @ 6V
- 27 oz inches torque @ 6V

NOTES:	MATERIAL:	Metal	MODEL NAME:	Mini Metal Gearmotor 105:1 (152 RPM)
				https://www.sparkfun.com/products/12008
				ROB-12008
				PAGE SIZE C 22 x 17 INCH
	DESCRIPTION:	DRAWN BY: Paul Smith		SCALE: varies
	DATE:	03 October 2013	UNITS: inch[mm]	
	CAD APPLICATION:	Creo Parametric 2.0	VER: 1.0	
				SHEET 1 / 1

4

3

2

1