



SMA Series

Specifications

Electrical:

Impedance	50 ohm	
Frequency Range	0 - 12.4 GHz on Flexible cable 0 - 18 GHz on Semi-rigid cable	
Working Voltage	RG-178:170 VRMS max. RG-316,.085" :250 VRMS max. RG-142,.141" :335 VRMS max.	
Dielectric Withstanding Voltage	RG-178:500 VRMS min. RG-316,.085" :750 VRMS min. RG-142,.141" :1000 VRMS min.	
VSWR	Straight	1.3 max
	Right Angle	1.5 max
Contact Resistance	Center Contact	6 Milliohms Max.
	Outer Contact	2 Milliohms Max.
Insulator Resistance	5000 Megohms min.	

Material:

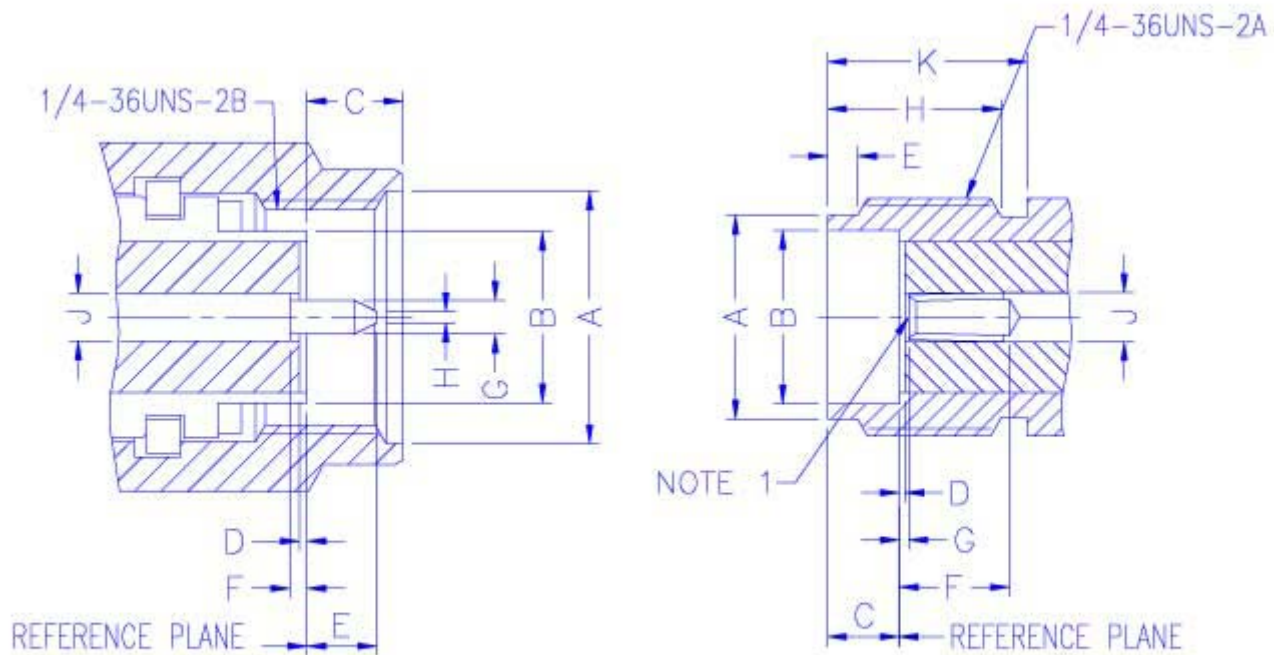
Parts Name	Material	Finish
Body, Metal Parts	Brass per QQ-B-626 or Non-magnetic stainless steel per QQ-S-764#303	Nickel, Gold or passivity per requirement.
Center Contacts	Plug: Brass per QQ-B-626	Gold
	Jack: Beryllium copper per QQ-C-530 or Phosphor Bronze per QQ-B-750	Gold
Insulators	Teflon	None
Crimp Ferrules	Annealed copper	Nickel or Gold per requirement
Clamp Gaskets	Silicone rubber	None

NOTE:Other Material/Finish is Available on Request.

Mechanical & Environmental:

Engagement Force	2 in-lbs. max.
Disengagement Force	2 in-lbs. max.
Coupling Nut Retention	60 lbs. min.
Coupling Proof Torque	15 in-lbs. min.
Contact Retention	6 lbs. min.
Durability(Mating)	500 cycles min.(For Beryllium copper Jack contact only)
Temperature Range	-65°C to 165°C
Vibration	MIL-STD-202 Method 204 Test Cond.B.
Salt Spray	MIL-STD-202 Method 101 Test Cond.B.
Thermal Shock	MIL-STD-202 Method 107 Test Cond.B.

INTERFACE MATING DIMENSIONS



PLUG		
Letter	Millimeters	
	Minimum	Maximum
A	6.35	6.73
B	4.53	4.59
C	2.54	3.43
D	0.00	0.25
E	1.91	2.54
F	0.00	0.25
G	0.90	0.94

JACK		
Letter	Millimeters	
	Minimum	Maximum
A	5.28	5.49
B	4.60	4.67
C	1.88	1.98
D	0.00	0.25
E	0.38	1.14
F	2.92	-
G	0.00	0.25

H	0.00	0.38
J	1.24	1.30

H	4.32	-
J	1.24	1.30
K	5.54	-