

Pin connections:

- +Ubat (backlight driver input)
- 3.3V (logic supply, regulated input)
- Ground
- Stat0 (Red status LED, low active)
- Stat1 (Blue status LED, low active)
- Stat2 (Green status LED, low active)
- Reset
- DIO
- SCK
- CS
- S2 (Pushbutton 2, low active)
- S1 (Pushbutton 1, low active)

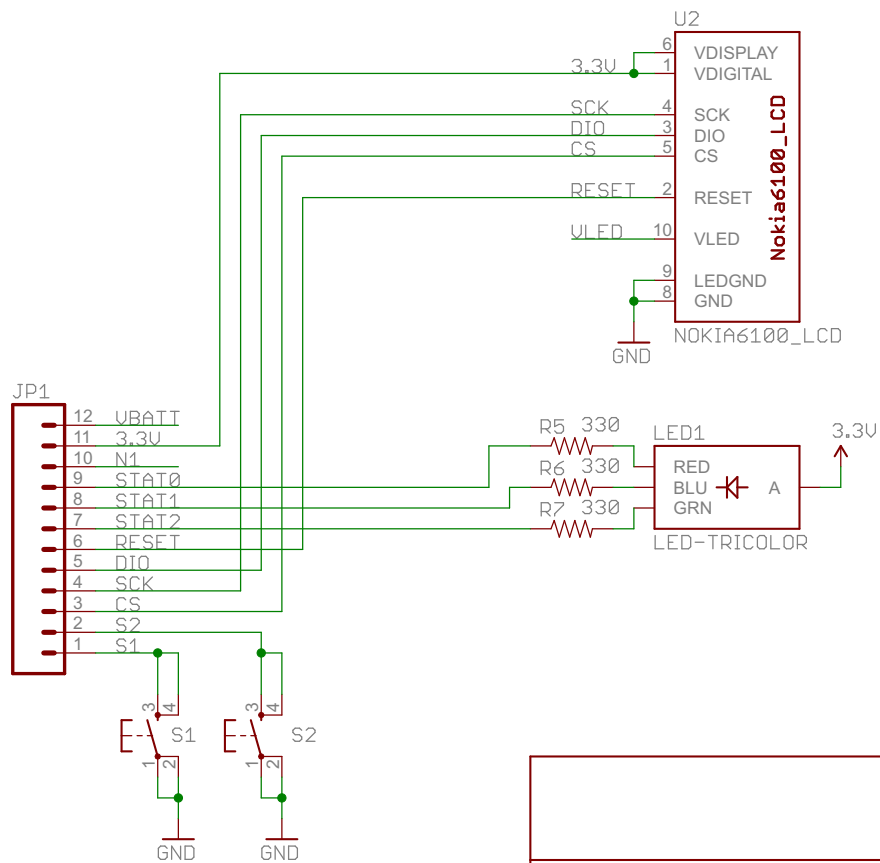
Current Draw

- 108mA @ 6V input
- 120mA @ 5V input
- 243mA @ 3.7V input (single Lipo cell)
- 324mA @ 3.3V input



open hardware

Released under the Creative Commons Attribution Share-Alike 3.0 License
<http://creativecommons.org/licenses/by-sa/3.0>
 Design by: Ryan Owens



TITLE: Nokia-Breakout-v14		SFE	SFE
Document Number:			REV:
Date: 2/15/2012 11:29:21 AM		Sheet: 1/1	