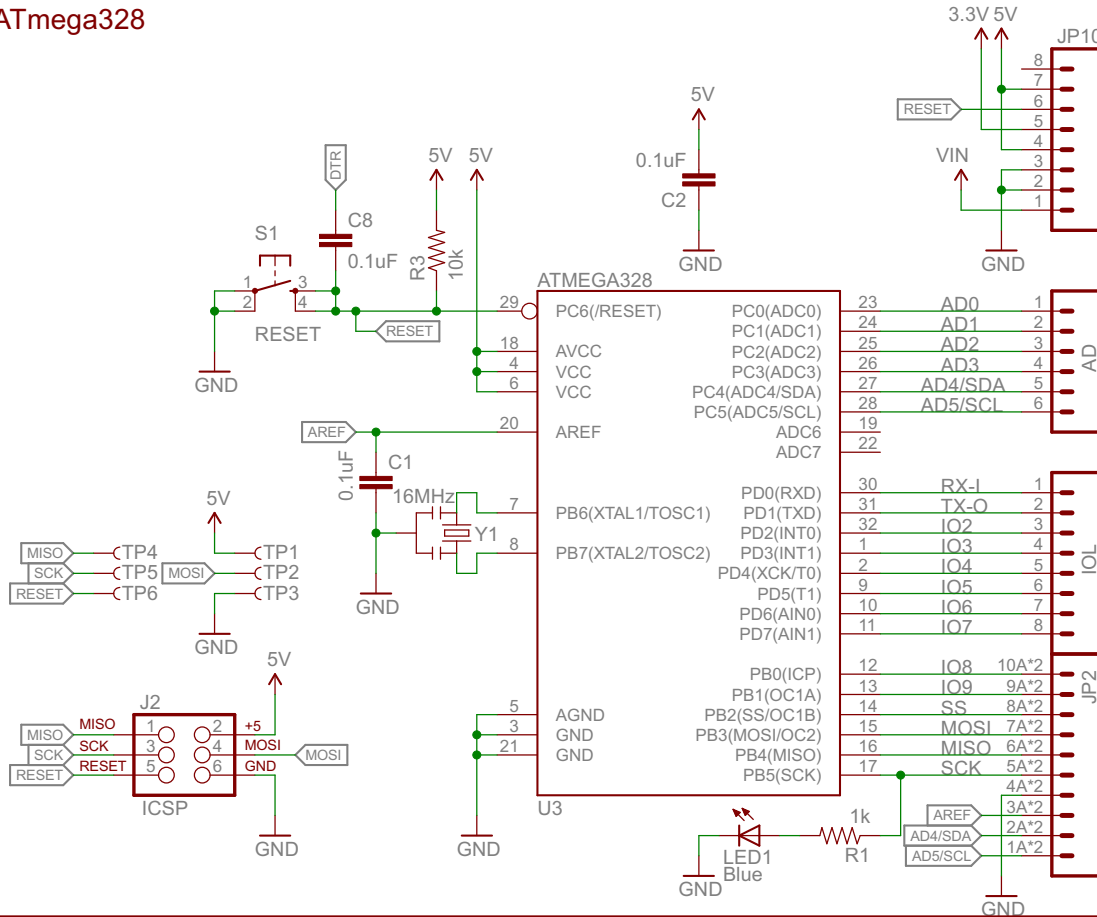
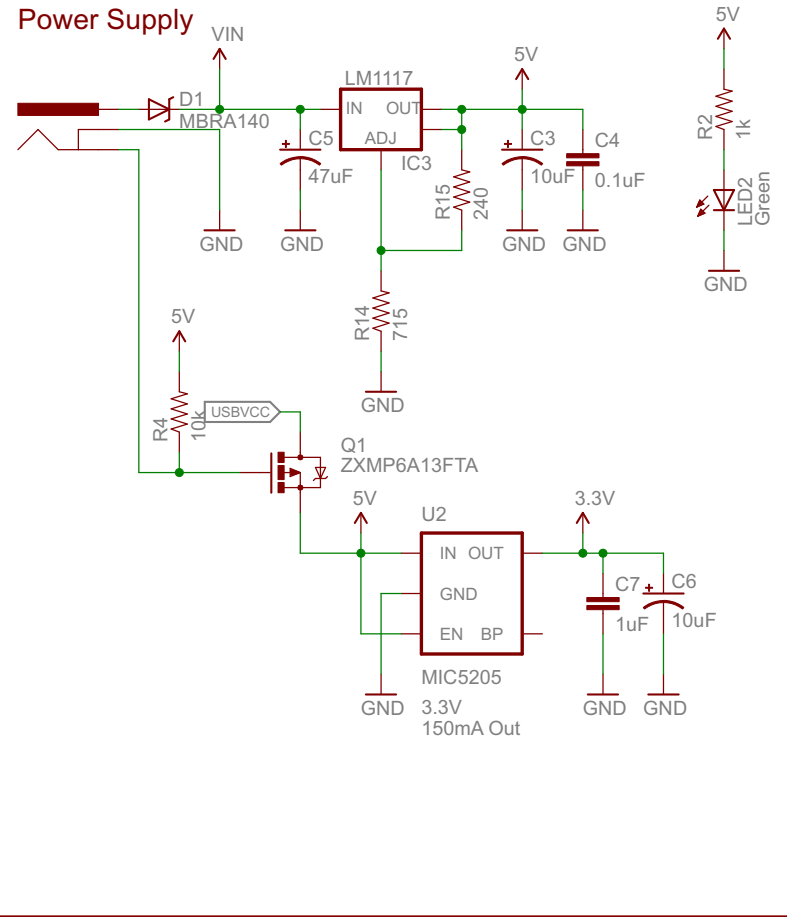


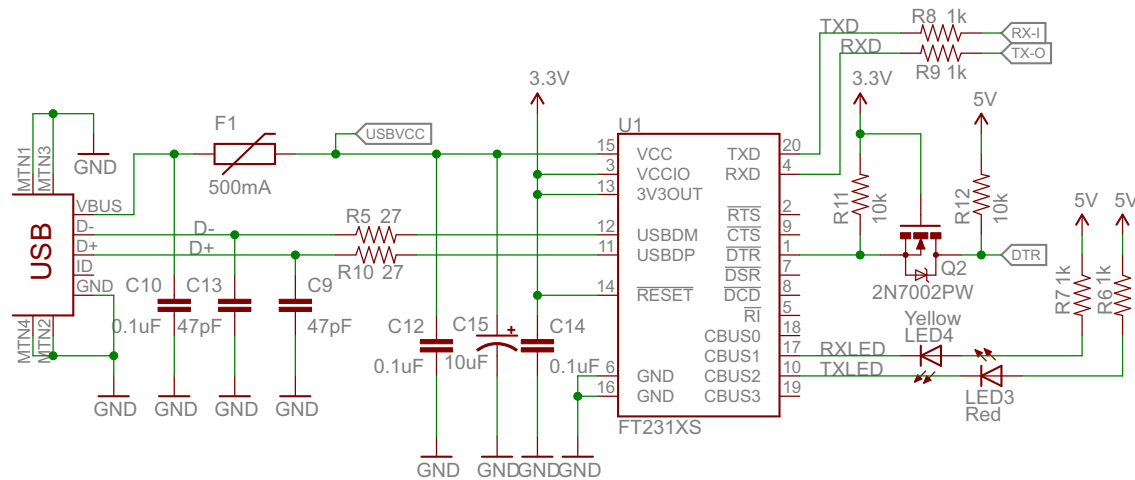
ATmega328



Power Supply



FT231XS (USB-to-Serial Converter)



Released under the Creative Commons Attribution Share-Alike 3.0 License
<http://creativecommons.org/licenses/by-sa/3.0>

TITLE: RedBoard SFE

Design by: Jim Lindblom REV: v21
 Based on Arduino by: M.Banzi, D.Cuartielles, T.Goe, G.Martino, D.Mellis

Date: 3/4/2014 11:06:30 AM Sheet: 1/1