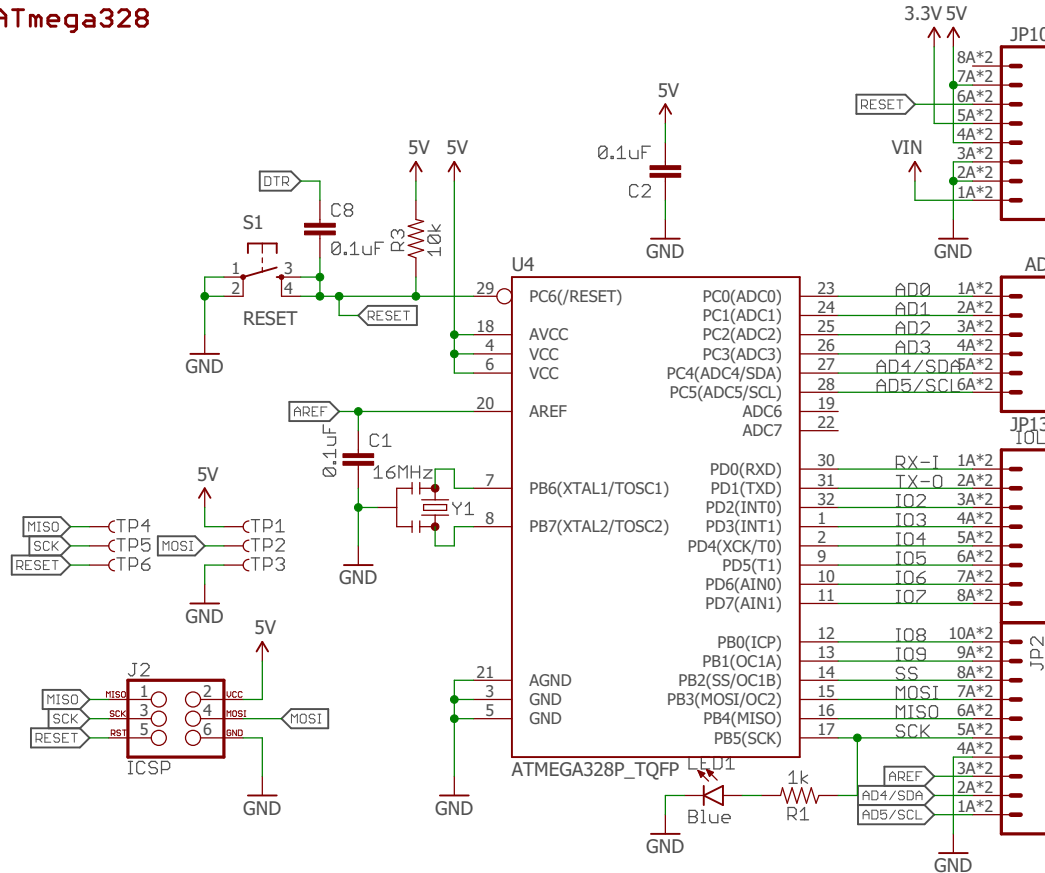
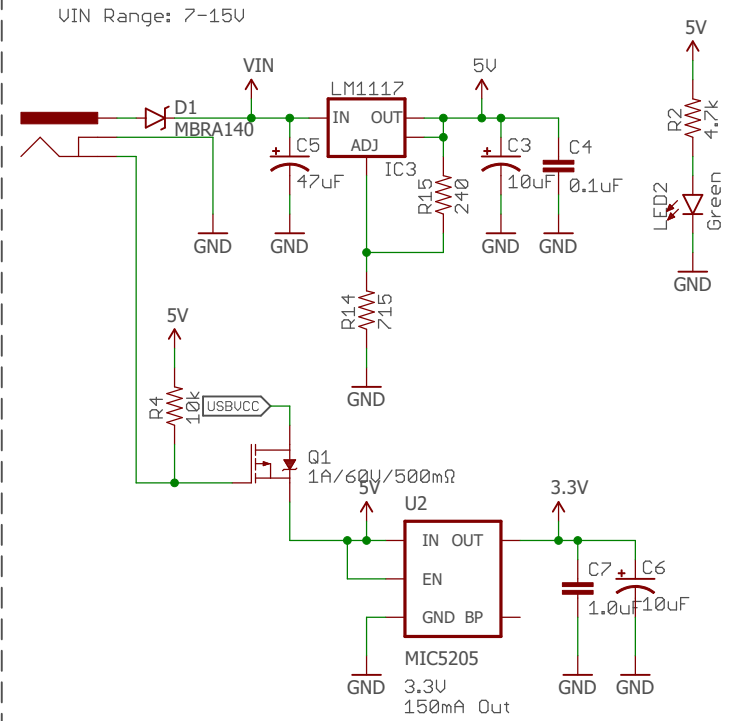


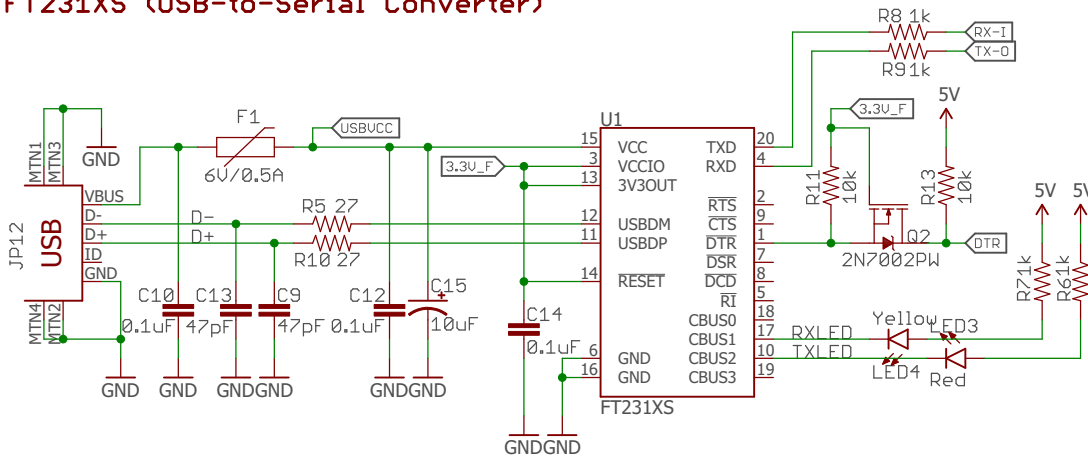
ATmega328



Power Supply



FT231XS (USB-to-Serial Converter)



Released under the Creative Commons Attribution Share-Alike 4.0 License
<https://creativecommons.org/licenses/by-sa/4.0/>

TITLE: RedBoard

Design by: Jim Lindblom
 Based on Arduino by: M.Banzi, D.Cuartielles, T.Igoe, G.Martino, D.Mellis

REV:
v22

Date: 8/23/2016 1:15 PM Sheet: 1/1