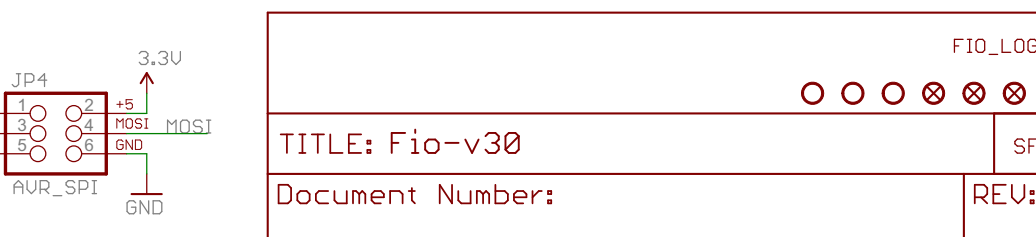
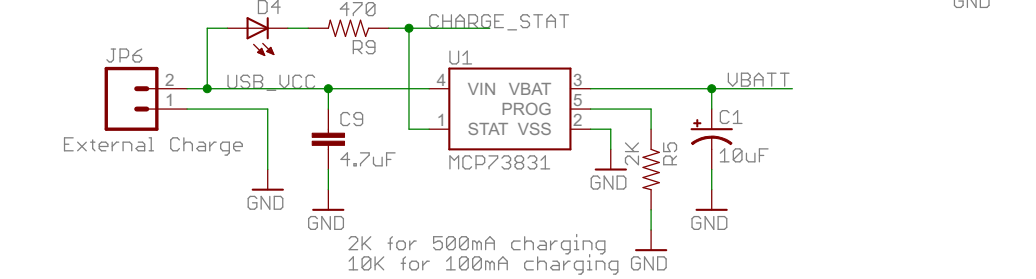
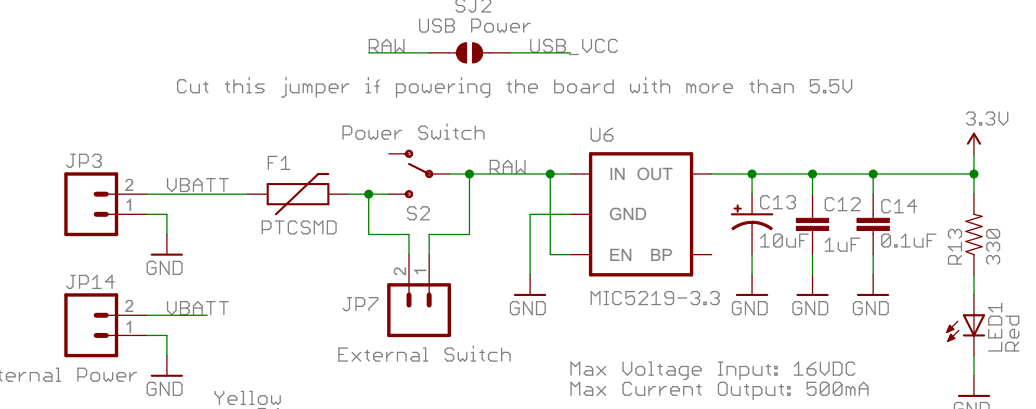
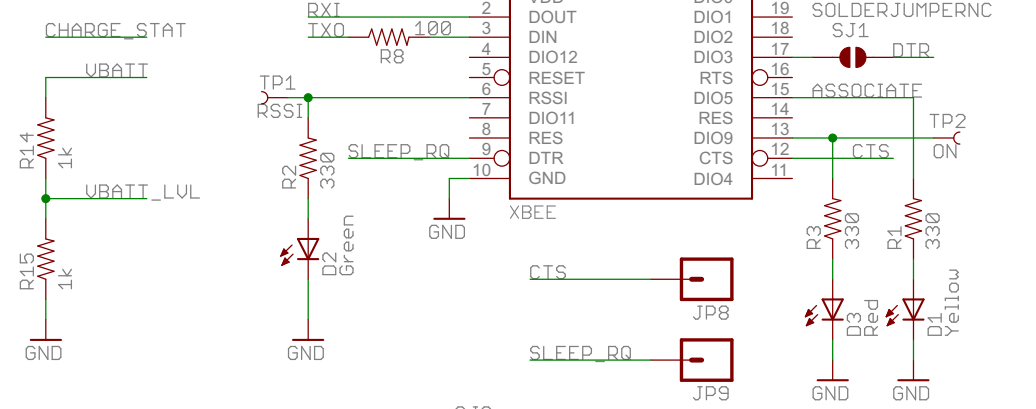
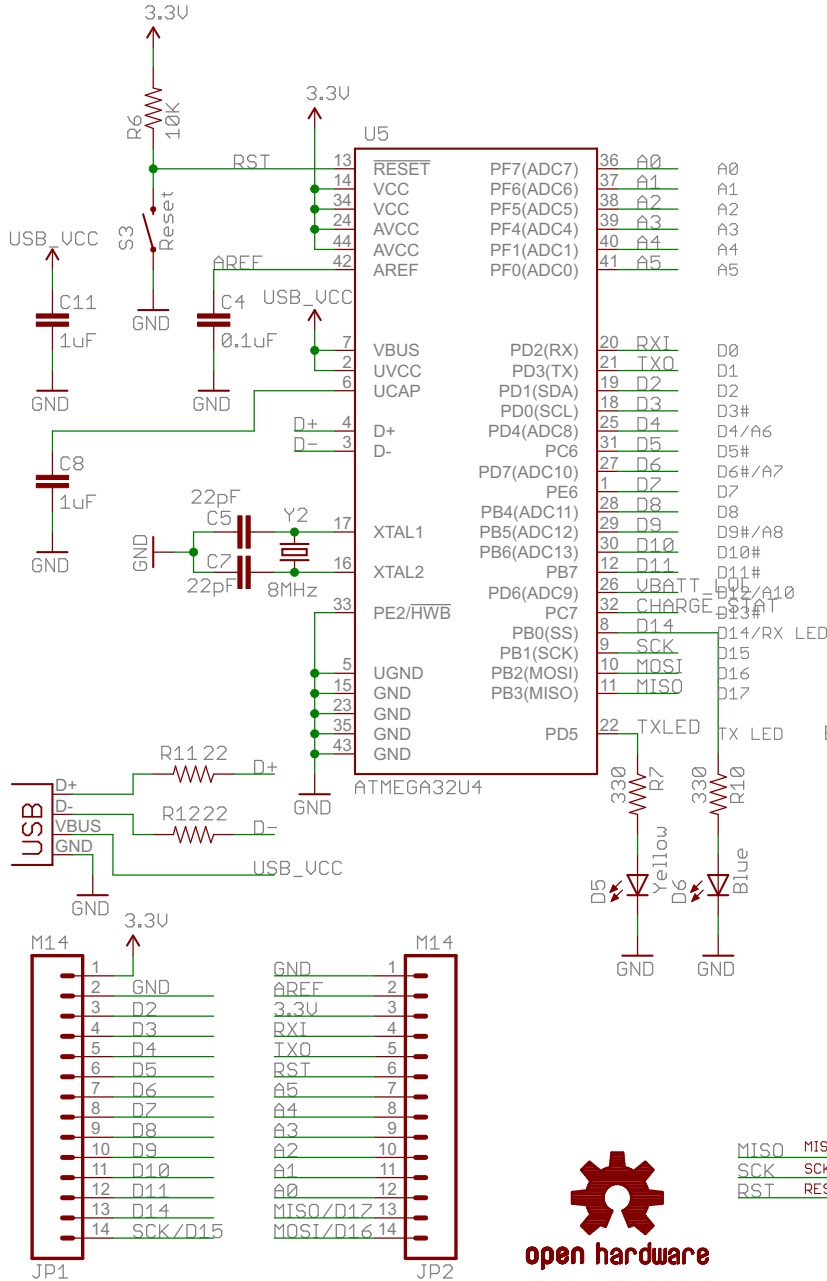
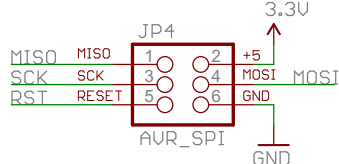


Original design (LilyPad Arduino v1.6) by L. Buechley and N. Seidle
 Released under the Creative Commons Attribution Share-Alike 3.0 License
<http://creativecommons.org/licenses/by-sa/3.0>
 Design by: S. Kobayashi and N. Seidle



open hardware



FIO_LOGO	
TITLE: Fio-v30	
Document Number:	SFE
Date: not saved!	REV:
Sheet: 1/1	