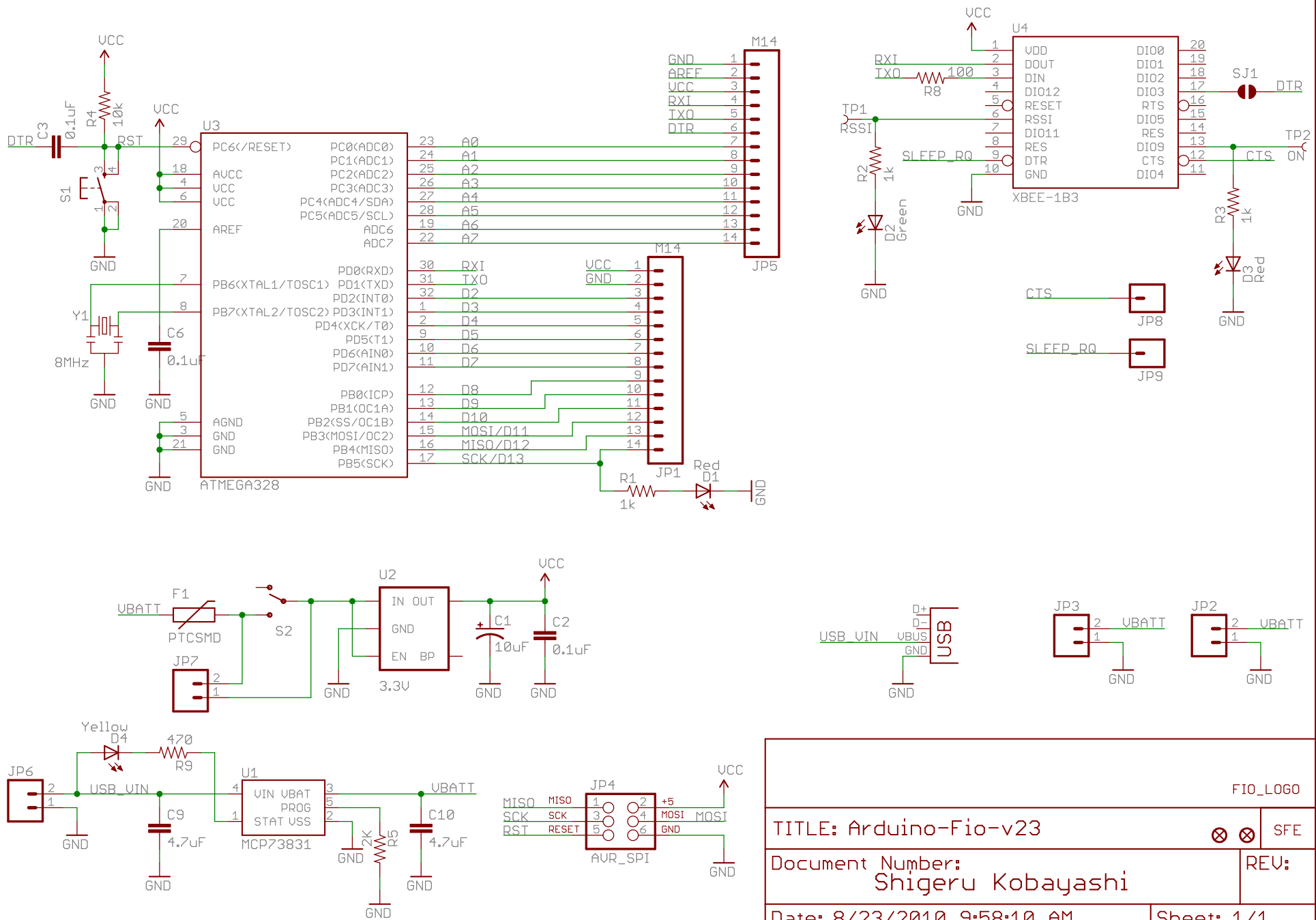


Original design (LilyPad Arduino v1.6) by L. Buechley and N. Seidle
 Released under the Creative Commons Attribution Share-Alike 3.0 License
<http://creativecommons.org/licenses/by-sa/3.0>
 Design by: S. Kobayashi and N. Seidle



| | | | |
|---------------------------------------|--|------------------|--|
| TITLE: Arduino-Fio-v23 | | FIO_LOGO | |
| Document Number: Shigeru Kobayashi | | SFE | |
| Date: 8/23/2010 9:58:10 AM | | REV: REV: 1.0 | |
| Date: 8/23/2010 9:58:10 AM | | Sheet: 1/1 | |