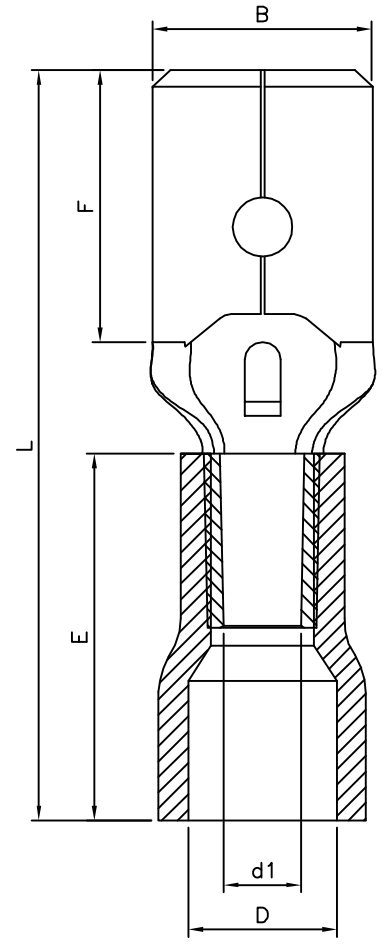


**SPECIFICATION**

Voltage Rating:300V Max. At 75°C  
Current:

AWG	22	20	18	16
Amp Max.	3	4	7	10

Insulator:PVC  
Material:Brass,Tin Plated Over Nickel  
RoHS Compliant



Wire Range AWG/mm <sup>2</sup>	Color	Item No.	Nema Tab	B±0.20	F±0.30	L±1.00	E±0.60	D±0.30	d1±0.20
22~16 AWG 0.5~1.5mm <sup>2</sup>	Red	20347	0.8X6.4	6.35	7.8	21.2	10.0	4.0	1.7

**4UCON** 元化興業股份有限公司  
4UCON TECHNOLOGY INC.

DRAWING No.		APPROVED BY		UNLESS OTHERWISE SPECIFIED TOLERANCES ARE .X ±0.38 .XX ±0.25 ANG.
20347		EMILY		
		CHECKED BY		
		HZF		
		DRAWING BY		
		GAO		
SCALE	NONE	REV.	A0	UNIT
				mm

NO.	REV.	REVISIONS	CHK	DATE
△ A0		NEW RELEASE	HZF	01/12/2012