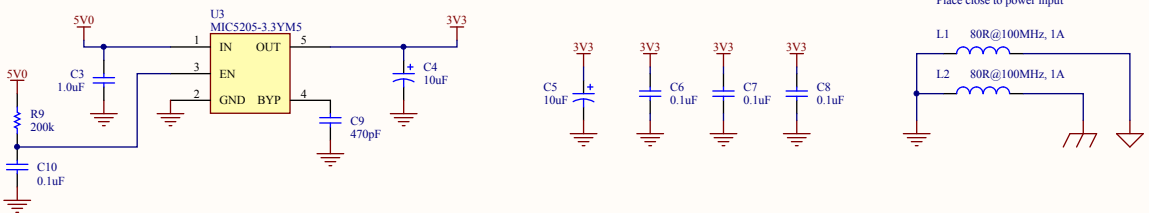


10ms delay from power-up to EN @ 2V = 0.5RC
 Rail must go high > 10uS after 1V8
 per Epson S1V30120 Power-On/Reset Timing spec.

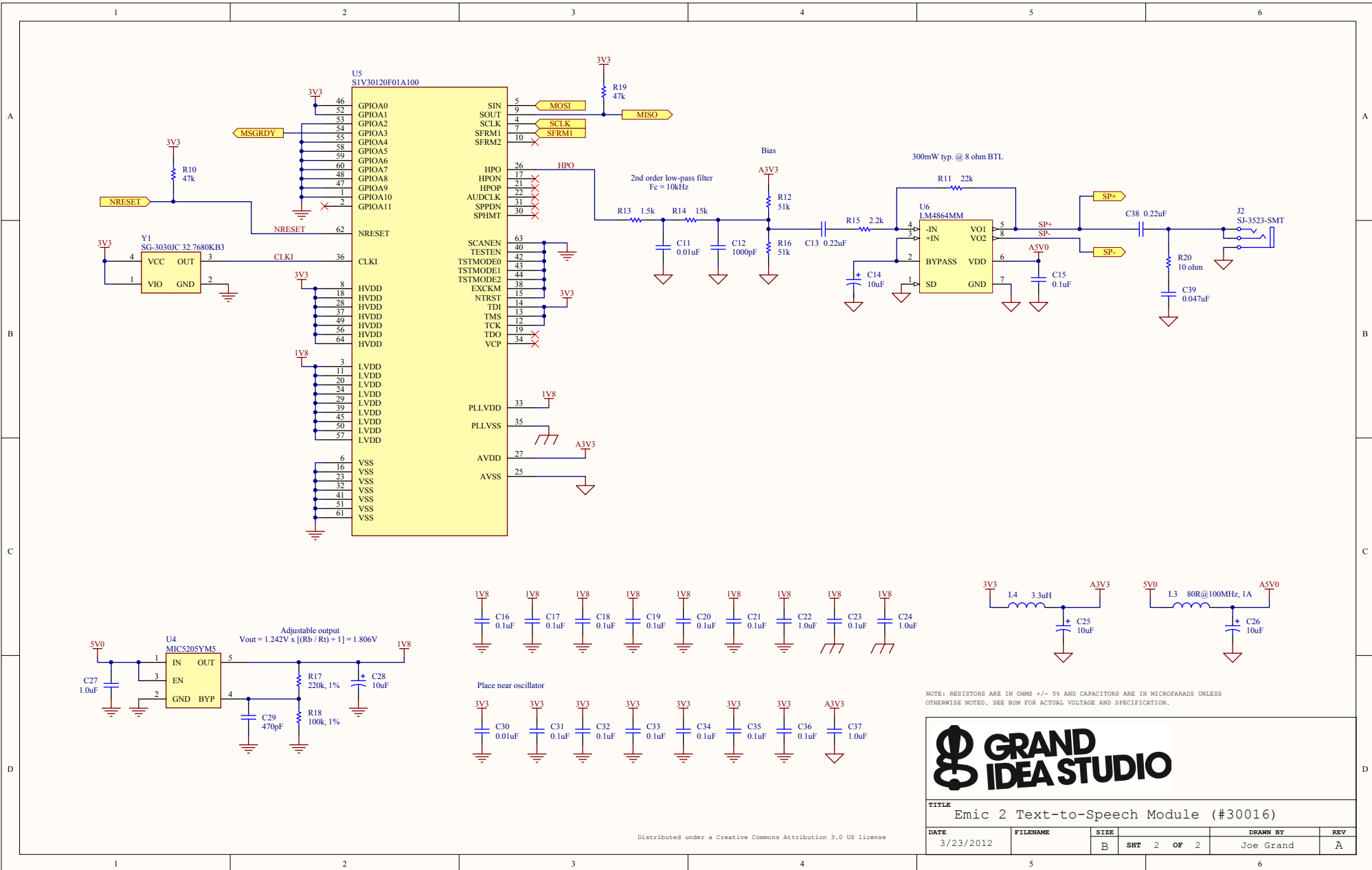


NOTE: RESISTORS ARE IN OHMS +/- 5% AND CAPACITORS ARE IN MICROFARADS UNLESS OTHERWISE NOTED. SEE BOM FOR ACTUAL VOLTAGE AND SPECIFICATION.



TITLE				
Emic 2 Text-to-Speech Module (#30016)				
DATE	FILENAME	SIZE	DRAWN BY	
3/23/2012		B	Joe Grand	
		SHT	1 OF	2
			REV	A

Distributed under a Creative Commons Attribution 3.0 US license



TITLE				
Emic 2 Text-to-Speech Module (#30016)				
DATE	FILENAME	SIZE	DRAWN BY	
3/23/2012		B	SHT 2 OF 2	Joe Grand
				REV
				A

Distributed under a Creative Commons Attribution 3.0 US license