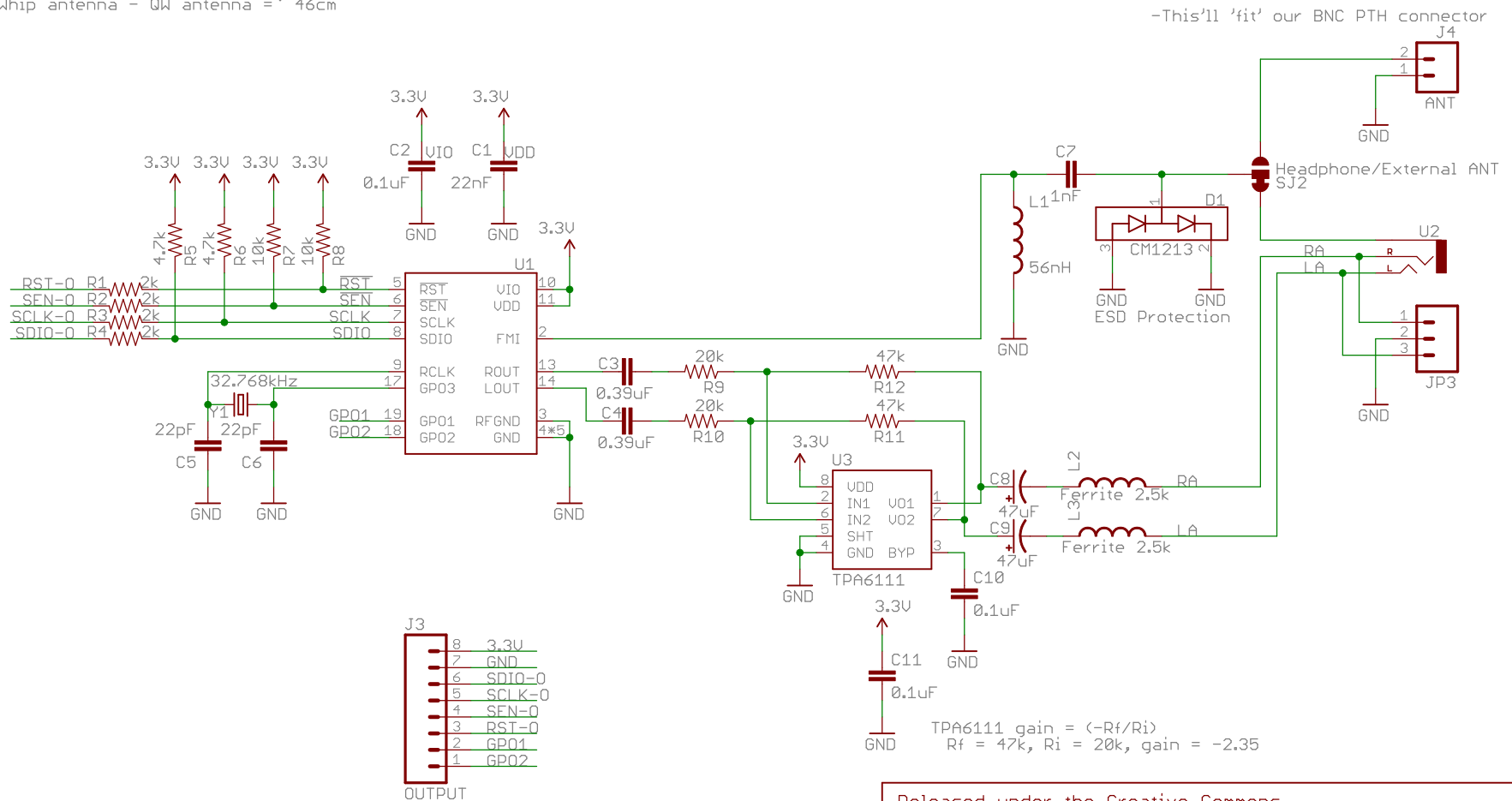


- UIO is tied to VCC, so max input voltage is 3.6V
- Control interface: to select an interface drive GPIO pins at reset
 - The Si4707 will default to 2-wire mode, GP01 = 1, GP02 = 0
 - For 3-wire, GP01 = GP02 = 0
 - For SPI, GP01 = GP02 = 1
- 2-wire address:
 - if SEN = 0, 0010001b
 - if SEN = 1, 1100011b
- WB antenna options:
 - Headphone antenna (works for nearby stations)
 - Whip antenna - QW antenna = ~ 46cm



Released under the Creative Commons Attribution Share-Alike 3.0 License http://creativecommons.org/licenses/by-sa/3.0		
TITLE: Si4707-Breakout-v11	SFE	SFE
Design by Number:	REV:	
Date: 12/10/2012 4:55:15 PM	Sheet: 1/1	



Released under the Creative Commons Attribution Share-Alike 3.0 License
<http://creativecommons.org/licenses/by-sa/3.0>
 Design by: Jim Lindblom
 Design heavily based on Si4703 Breakout Board by Nathan Seidle